



冠鲁精机

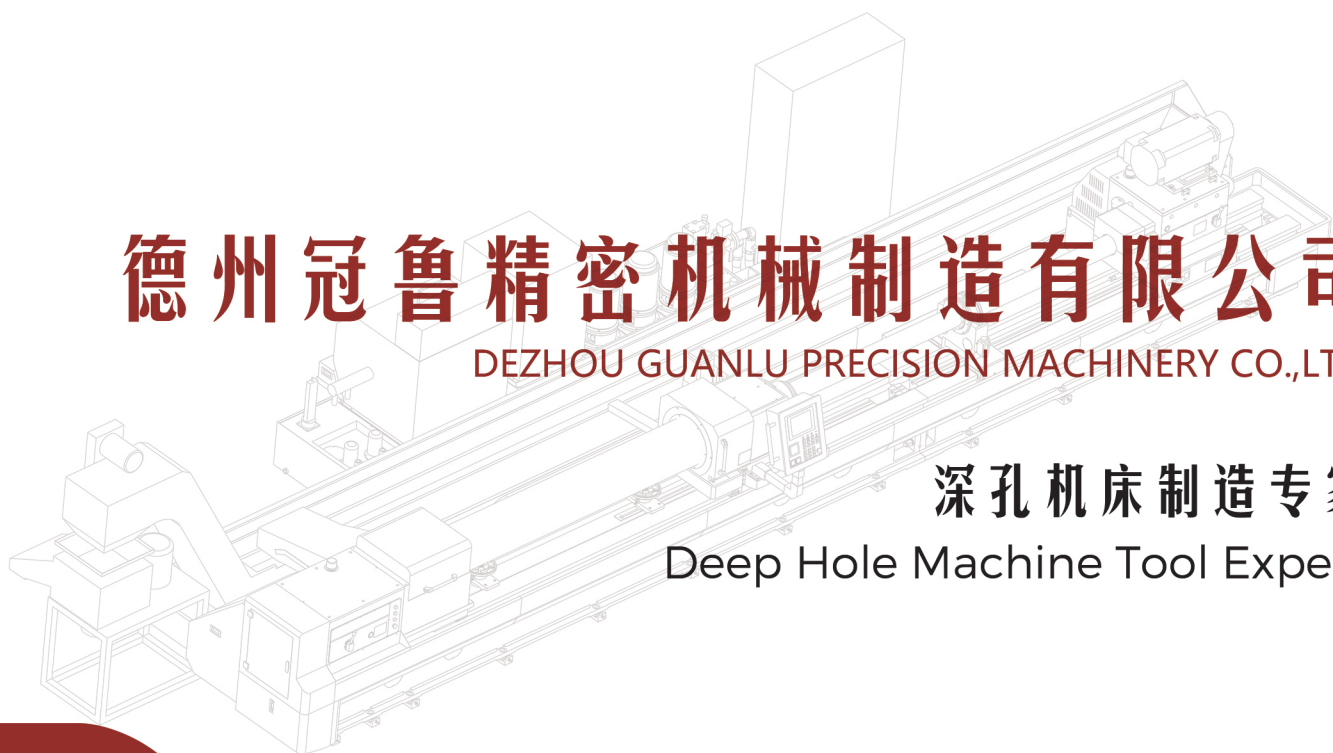


德州冠鲁精密机械制造有限公司

DEZHOU GUANLU PRECISION MACHINERY CO.,LTD

深孔机床制造专家

Deep Hole Machine Tool Expert



冠鲁精机·公司简介

德州冠鲁精密机械制造有限公司成立于2011年，是一家专业从事深孔加工设备研发、生产、销售的企业。主要生产深孔枪钻机床，深孔钻镗床，深孔三坐标机床，深孔刮滚机床，深孔珩磨机床等深孔专用设备及相关刀具辅具。同时应国内外客户的要求，我公司研发生产深孔拉镗床，深孔钻镗珩磨复合机床，深孔BTA枪钻复合机床，深孔镗刮滚机床，深孔拉镗刮滚机床，数控三坐标钻铣床，石英玻璃钻床和石英玻璃珩磨机床等多款具有复合功能的深孔机床。

公司占地70000平方米，有四个重型车间。其中2号车间为机加车间。主要机加设备有12米德国海科特龙门式导轨磨床(加工直线精度为2-3um/1000mm)，日本工机五面铣床，济南第二机床厂生产12米龙门式刨床，中捷坐标镗床，数控加工中心，平面铣床，数控车床，淬火机床，立式铣床，摇臂钻床，电火花加工等多台精密加工设备。1号车间为深孔机床装配区，分为分装区，总装区，试车区，喷漆区，仓库等区域。我公司通过ISO9001质量管理体系认证，CE质量管理体系认证，环境管理体系认证，职业健康安全管理体系认证等。

通过全面的认证体系，提高企业管理水平，严格规范产品生产检验流程。切实控制好每一台机床的质量，树立良好的市场口碑。

公司成立之初就瞄准国内外中高端市场，依托专业技术团队和高端的制造设备，创造冠鲁品质，冠鲁品牌，迅速成长为中高端深孔设备专业制造商。公司在伊朗设立分公司，法国设立办事处，印度，俄罗斯，乌克兰，墨西哥等多国设立代理，产品出口法国，美国、加拿大、匈牙利，爱尔兰，西班牙，新加坡等50多个国家和地区。

德州冠鲁，用心做企业，诚心待客户，脚踏实地，兢兢业业。追求经济效益的同时，为民族工业的发展而奋斗!

COMPANY PROFILE

Established in year 2011, Guanlu is specialized for deep hole drilling machine designing, manufacturing and selling.

Our mainly products include: deep hole gun drilling machine, deep hole drilling and boring machine, three coordinate deep hole drilling machine, deep hole skiving roller burnishing machine, deep hole honing machine and other deep hole processing machines, accessories and tools. In the meantime, cater to world-wide customer request, our company had designed some customized machines, deep hole pull boring machine, deep hole boring honing combined machine, BTA drilling and grinding combined machine, deep hole boring skiving rolling burnishing machine, deep hole pull boring skiving roller burnishing machine, CNC 3D deep hole drilling and milling machine, quartz glass deep hole drilling machine and honing machine...

Our company space is about 70000 square meters, four heavy duty workshop. Mainly machining facility: 12 meters Germany* Heckert double column guide way grinding machine, Japanese brand SNK five side milling machine, Chinese famous brand coordinate boring machine, VMC, surface milling machine, CNC lathes, quenching machine, vertical milling machine, radial drilling machine, EDM and other precise machining machines.

Our company has ISO9001 quality management certificate, CE quality management certificate, environment management certificate, occupational and safety management certificate and so on.

Machine has been exported to more than 50 countries. Such as France, USA, Canada, Ireland, Spain, Singapore, Russia and so on. Welcome to contact us!



公司图片·COMPANY PICTURE



客户来访 CUSTOMER VISITING



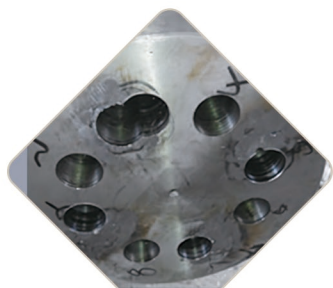
跨国服务 INSTALLATION AND COMMISSIONING



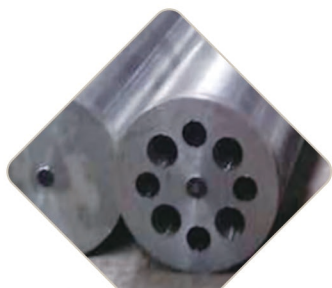
展会现场 EXHIBITIONS



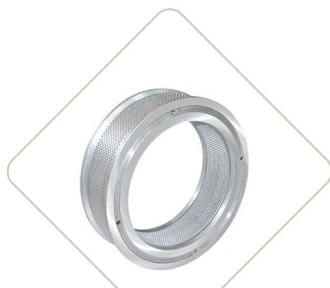
部分加工案例 · SOME PROCESSING CASES



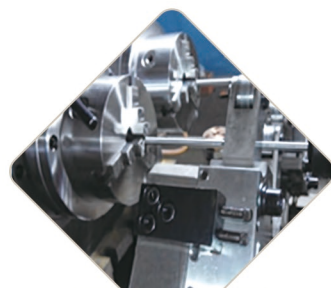
八字孔
(Twin hole)



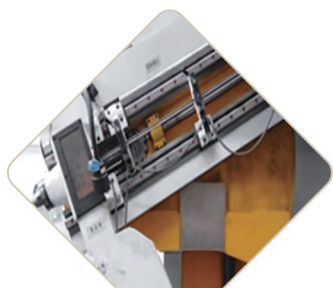
分度孔
(Indexing hole)



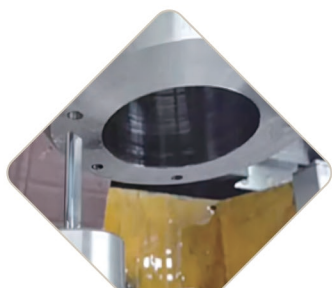
环模
(Ring die moulds)



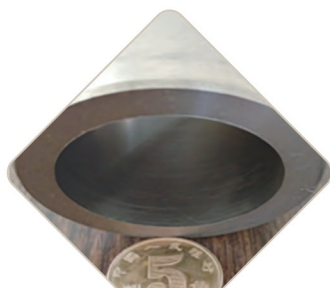
细长轴
(Slender axis)



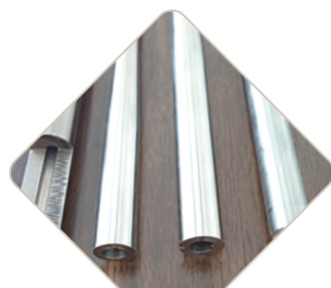
八字孔倾斜孔
(Slope hole)



枪钻和BTA复合
(BTA and gundrilling combined)



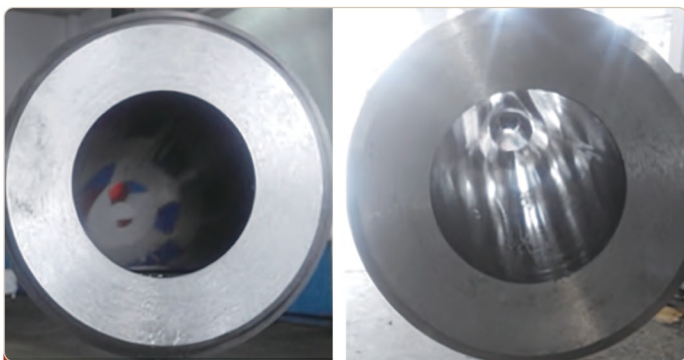
钛合金
(Titanium Alloy)



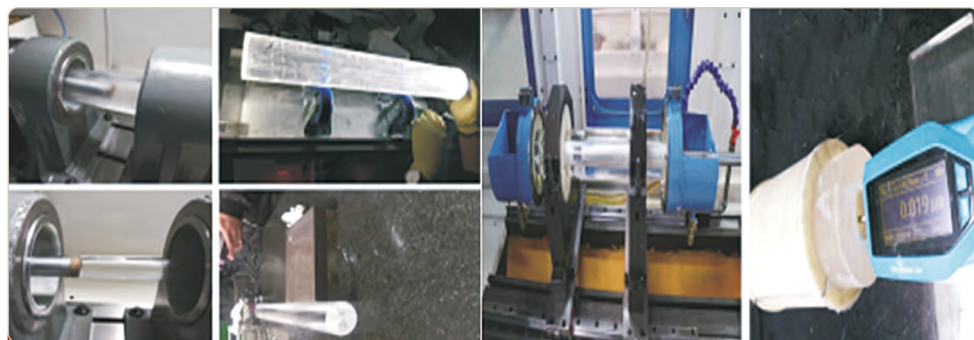
不锈钢
(Stainless Steel)



煤机缸/工程缸液压支架
(Skiving and burnishing for hydraulic cylinders)



大深孔加工
(BTA large hole drilling)



石英玻璃钻孔研磨
(Quartz glass drilling and honing)



尼龙棒
(Nylon bar drilling)

产品目录

product catalog

一、深孔刮滚机床 (deep hole skiving roller burnishing machine)	1
1、深孔刮滚机床 (Skiving roller Burnishing machine).....	1
2、复合型深孔刮滚机床 (Boring and SRB combined machine).....	3
二、深孔钻镗床 (BTA deep hole drilling machine)	5
1、中型数控深孔钻镗床 (Medium diameter BTA deep hole drilling machine).....	7
2、大型数控深孔钻镗床 (Heavy duty BTA deep hole drilling machine).....	9
三、外排屑数控深孔钻床 (枪钻机床)CNC Gundrilling machine	13
1、单轴数控深孔钻床 (Single coordinate CNC Gundrilling machine).....	11
2、三轴数控深孔钻床 (Three coordinate CNC Gundrilling machine).....	15
四、复合型数控深孔机床 (BTA and gundrilling combined machine)	17
五、深孔珩磨机床 (Deep hole honing machine)	19
六、石英玻璃钻孔机床 (Quartz glass drilling machine)	21
七、刀具 (Deep hole toolings)	23
八、部分选配部件 (Optional parts)	26

深孔刮滚机床

Deep hole skiving roller burnishing machine



● 优势特点

本机床是深孔钻镗床的更新换代产品，将粗镗与精镗溶于一体，利用推镗一次完成粗精镗，镗完后利用退刀，同时完成滚压的工序。所以此机床具有以下优点：

加工效率高，节省工序。普通深孔用 2-5 次工序才能完成的工作，刮滚机床能一次性完成。精度高，一次加工精度可达 IT8 级，表面粗糙度可达到 Ra0.05-Ra0.4um

提高表面硬度，加工工件表面硬度增加 50% 以上。

工作环境：低噪音，无污染，节省劳动成本。

可根据客户要求定制各种变形产品

TGG/TGK deep hole skiving roller burnishing machine

This machine is the substitution for deep hole boring machine, combined the rough boring and precision boring,utilize the pushboring to finish the rough and precision boring processing while utilize the retract to finish the rolling process,so this machine has the following advantages:

High efficiency save processes. Traditional process have to use 2-5 processes,but this machine can do the work one process.

High accuracy,one time process can achieve IT8,surface roughness is up to Ra0.05-Ra0.4um.

Enhance the surface hardness,finished workpiece surface hardness increase more than 50%.
Working environment: low noise,no pollution,save labors.

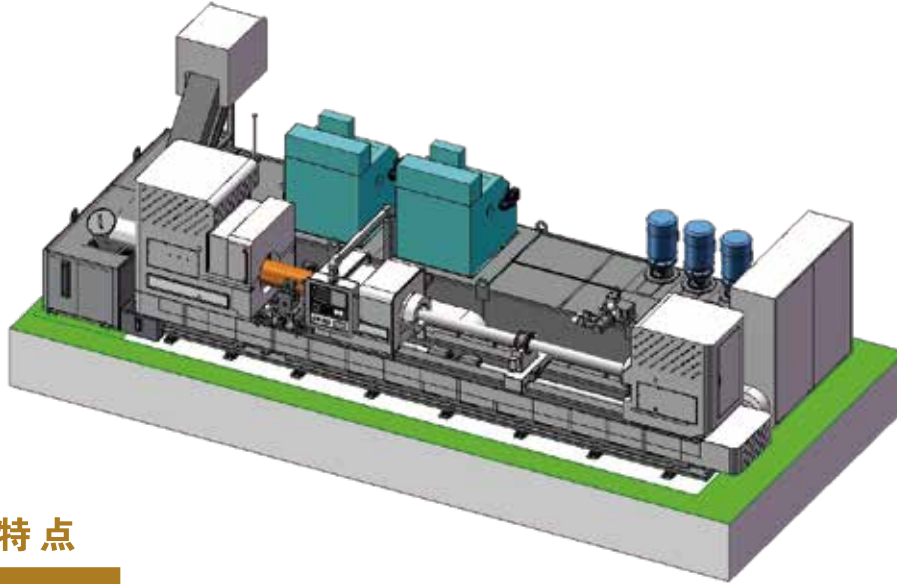
主要技术规格及性能 Main technical specifications and performance

项目名称 Item name		参数 Parameter				
机床型号 Machine model		TGK200	TGK250	TGK320	TGK400	TGK500
工件尺寸 workpiece dimension	内径 (mm) inner hole	38-200	38-250	100-320	160-400	200-500
	外径 (mm) outer hole	45-250	45-300	120-380	200-500	250-650
	加工长度 working length	500-L*	500-L*	600-L*	600-L*	600-L*
速度 speed	主轴转速 (r/min) spindle speed	200~1200	1600~1000	125~800	100~630	80~500
	定位器 / 授油器 移动 (mm/min) position holder move	1500	1500	0-2000	0-2000	0-2000
	主轴箱移动 (mm/min) spindle box move	0-3000	0-3000	0-3000	0-3000	0-3000
电机功率 motorpower	主轴电机 (Kw) spindle motor	30/70	37/45	60	75	90
	进给伺服 (Kw) infeed servo	4.4	4.4	7.5	7.5	7.5
冷却系统 coolantsystem	油箱容量 (L) oil box volume	3200+1850	3200+1850	6000+2100	6000+2100	6000+2100
	泵流量 (L/min) pump flow	600	600	800	1000	1200
	过滤精 (um) filtering accuracy	30				
电机总功率 (Kw) motor total power		80	100	120	160	200
数控系统 CNC system		德国 SIEMENS/ 中国 KND				

注：我公司可提供 1m、2m、3m、6m、9m、12m 等不同配置的数控刮削滚光机。也可根据客户特殊要求定 t

复合型深孔刮滚机床

Boring and SRB combined machine



● 优势特点

TGK 系列数控型镗刮削滚光机床的主要特征就是加工效率高，性能稳定，智能简便化的数控操作系统，整体美观、统一整洁的外形，更具良好的防油飞溅防渗漏的环保措施。

设备具备以下三种工件和刀具组合动作：1)、工件和刀具同时旋转。2)、工件固定刀具旋转。3)、工件旋转刀具固定。粗加工时采用粗镗头进行推镗加工，精加工时采用刮削 + 滚压（液压或气动）组合刀具加工工艺，有效的解决目前热轧钢管深孔粗加工跑偏严重，冷拔钢管深孔精加工后直线度差的现象。

快速刮削滚压加工后，精度可达 IT7 级，表面粗糙度最高可达 Ra0.1-0.4 μ m，加工效率是传统深孔加工工艺的 5 倍，是一般珩磨机的 10 倍。

该机床配备有刀具自动涨缩控制模块，具备专用的韩式气动和德式液压涨刀退刀系统，最佳刮削滚光加工时加工余量为直径方向 0.3-10mm 均可加工（刀具选择不同），不规则的热轧管必须先用高效粗镗头粗镗后再刮削滚光。

TGK series CNC boring and SRB machine has the main feature of high efficiency, stable performance, intelligent and simple CNC operating system, overall beautiful, unified and neat appearance, and better environmental protection against oil splash and leakage.

The machine has the following three working modes: 1) The job and tool rotate at the same time. 2) The job is fixed and the cutter rotates. 3) The job rotating tool is fixed. The rough boring head is used for pushing boring during rough machining, and the skiving+burnishing(hydraulic or pneumatic) combined tool processing is used for finishing, which effectively solves the problem of serious deviation in rough machining of deep holes in hot rolled steel tubes and poor straightness after finishing of deep holes in cold drawn steel tubes.

After worked by the machine, the precision can reach IT7, and the surface roughness can reach Ra0.1-0.4 μ m. The processing efficiency is 5 times that of the traditional deep hole machines and 10 times faster compared with the deep hole honing machine.

The machine tool is equipped with an automatic tool expansion and contraction control module, and has a special Korean pneumatic and German hydraulic tool expansion and retraction system. the machining allowance is 0.3-10mm in the diameter direction, which can be processed (different tools are selected). Irregular hot rolled pipes must use rough boring process before Skiving and burnishing process.

机床主要参数 Main parameters of machine tool

TGK 系列数控深孔削滚光机床技术参数表 (TGK Series CNC Boring and SRB machine technical parameters)												
项目 (Item)		单位	TGK20D	TGK20S	TGK25D	TGK25S	TGK36D	TGK36S	TGK40D	TGK40S	TGK50D	TGK50S
机床主参数 Machine Parameters	加工孔径范围 SRB ID range	mm	Φ38 ~ Φ200		Φ38 ~ Φ200		Φ38 ~ Φ360		Φ38 ~ Φ420		Φ100 ~ Φ500	
	工件外径范围 workpiece OD range	mm	Φ60 ~ Φ400		Φ60 ~ Φ400		Φ100 ~ Φ500		Φ100 ~ Φ500		Φ200 ~ Φ600	
	最大加工深度 Max Job length	mm	8000	4000	10000	4000	12000	4000	12000	4000	20000	4000
	最大工件长度 Max Job length	mm	8000	4000	10000	4000	12000	4000	12000	4000	20000	4000
	机床加工方式注		单旋转	双旋转	单旋转	双旋转	单旋转	双旋转	单旋转	双旋转	单旋转	双旋转
床头箱 Headstock	转速范围 Rotary speed range	rpm	—	10 ~ 350	—	10 ~ 350	—	10 ~ 350	—	10 ~ 350	—	5 ~ 200
	电机功率 Motor power	kw	—	22	—	30	—	37	—	45	—	55
镗杆箱 Boring box	转速范围 Rotary speed range	rpm	40 ~ 1200		40 ~ 1200		40 ~ 1200		40 ~ 1200		30 ~ 800	
	电机功率 Motor power	kW	30		45		60		75		90	
Z1 轴 (镗杆箱进给) Z1axis,boring box infeed	最大移动速度 Max.Rapid speed	m/min	5		5		5		5		4	
	伺服电机额定功率 Servo motor power	kw	7		7		7		7		7	
Z2 轴 (授油器移动) Z2 axis rapid	最大移动速度	m/min	3		3		3		3		2	
	伺服电机额定功率	kw	5		5		5		5		5	
冷却系统 Coolant system	最大流量	L/min	5		800		1000		1200		1500	
	最大压力	MPa	2.5		2.5		0.5		0.5		0.5	
	冷却液箱容量	L	8000		8000		12000		12000		15000	
液压系统 Hydraulic system	最大压力	MPa	6.3		6.3		6.3		6.3		6.3	

注: 机床加工方式有三种组合形式: 1、工件固定、刀具旋转并进给。2、工件旋转、刀具不旋转, 仅进给。3、工件与刀具相对旋转, 刀具进给。
单旋转机床采用第 1 种加工方式; 双旋转机床可采用上述的 3 种加工方式。

Remark: Model S type SRB machine has three working mode: 1、Job fixed, tool rotating and infeed. 2、Job rotating, tool fixed, only infeed. 3、Job and tool relatively rotating and tool infeeding) Model D type SRB machine, such as TGK20D, TGK25D, TGK36D, TGK40D, TGK50D, TGK63D, TGK80D, only can working by Job fixed while tool rotating and infeed.

深孔钻镗床系列

Deep hole boring machine series

● 优势特点

深孔钻镗床系列主要产品：T21 深孔钻镗床系列

我公司生产的深孔钻镗床，采用内排屑法（BTA）加工方式，本机床不但可以承担钻削，镗削，而且可以进行滚压加工，加工精度如下：

钻孔：孔径精度 IT9~IT11，粗糙度 Ra3.2um-12.5um

粗镗孔：孔径精度 IT8 ~ IT9，粗糙度 Ra3.2 ~ 6.3um

精镗孔：孔径精度 IT7~IT9，粗糙度 Ra1.6~ 3.2um

滚压孔：孔径精度 IT6~IT7，粗糙度 Ra0.4 ~ 0.8um

孔直线度 ≤ 0.5 mm/1000mm

孔轴线对基准的偏斜度 ≤ 0.8mm/1000mm 钻孔直径范围为 30mm-120mm

镗孔直径范围为 40mm-1200mm 深度最深达 20 米

根据客户要求，工件形状及加工要求，可以特殊订制。

应用行业：各种机械液压油缸，加工机床的主轴孔，气缸圆柱形孔，特型油缸，煤机缸，高压锅炉管，石油，军工等行业。

我公司生产的刮滚机床，是我司技术部门在吸收国内外知名厂家同类产品的先进技术基础上，根据自身经验改进研发制成，机床特点：加工效率是传统纺磨的近 20 倍，表面硬度增加 50% 以上，加工精度可达 IT8 级，表面粗糙度可达到 Ra0.05-0.4um。

应用行业：各种液压油缸，汽缸等精密管件的大批量内孔精加工。

Deep hole boring and scraping series

Our 'deep hole boring machine, adopts BTA processing method. can drill, bore and rolling. The processing accuracy as below. Drilling: hole accuracy IT9-IT11, roughness Ra3.2um-12.5um

Rough boring: hole accuracy IT8-IT9, roughness Ra3.2-Ra6.3um Precision boring: hole accuracy IT7-IT9, roughness Ra1.6-Ra3.2um Rolling: hole accuracy IT6-IT7, roughness Ra0.4-Ra0.8um

Hole linear less than 0.5mm/1000mm

Drilling hole diameter range: 30mm to 120mm Boring hole diameter range: 40mm to 1000mm Hole depth: up to 15000mm

According to customers requirement, workpiece shape and processing requirement, we can design accordingly.

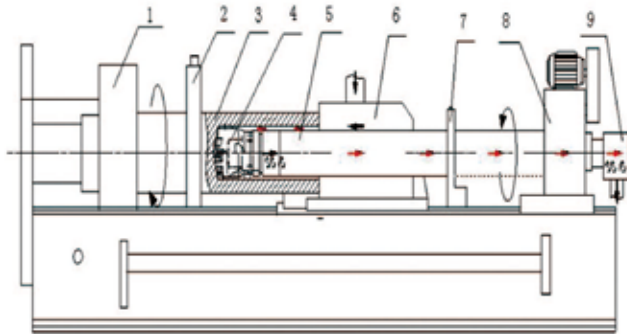
Application fields: all kinds of mechanical hydraulic cylinders. Processing lathe spindle holes, pneumatic pillar holes, special oil cylinder, coal cylinder, high pressure boiler tube, petre and military fields.

Our skiving roller burnishing machine is manufactured basing on the adopting advanced technology of competitors, according to our self experience. The machine advantage is: processing speed is nearly 20 times than the traditional honing process. Surface hardness increase more than 50%, processing accuracy up to IT8, surface roughness up to Ra0.05 to Ra0.4um.

Application: all kinds of hydraulic cylinder, air cylinders inner hole high accuracy processing. Mainly products of this series:

T21 deep hole drilling & boring machines

示意图 Sketch Map

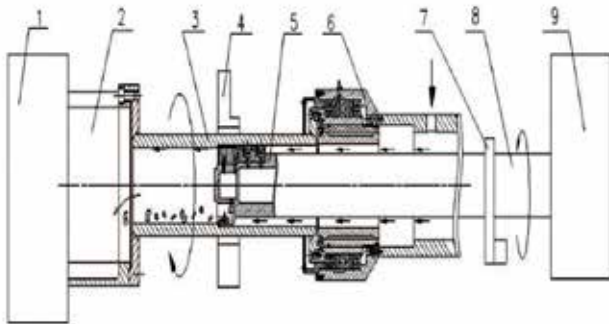


内排屑 (BTA) 加工示意图

1、主抽箱 2、中心箱 3、工件 4、钻头 5、钻杆 6、授油装置 7、钻杆支架 8、钻杆箱 9、排屑装置

Schematic processing :

1、spindle box 2、central box 3、workpiece 4、cutter 5、drilling bar 6、oil supply device 7、drilling bar support 8、drilling bar box 9、chips removal device

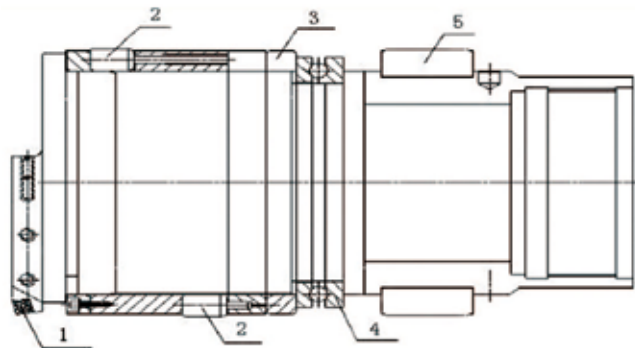


镗削加工示意图

1、主抽箱 2、卡盘体 3、工件 4、中心架 5、镗头 6、授油装置 7、钻杆支架 8、镗杆 9、镗杆箱

Boring processing schematic:

1. spindle box 2、 chuck 3、 workpiece 4、 center rest 5. boring head (cutter) 6、 oil supply device 7. drilling bar support 8、 boring bar 9、 boring bar box

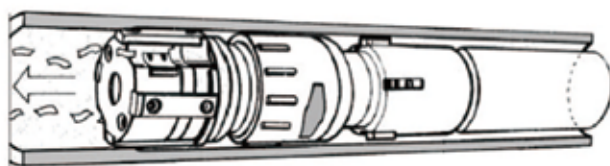


TGG 型组合镗滚头

1、刀片 2、滚柱 3、拆卸环 4、推力轴承 5、导向块 TGG 型组合镗滚头线速度可达 95m/min, 每转进给量可达 0.25mm/r (根据材料不同确定) 镗削刀片选用钼合金 YBM251, 是比较经济的深孔加工刀具。

TGG boring & rolling head

1、Insert 2. ball 3、 replace ring 4、 bearing 5. guide pad



刮削滚光组合刀具加工示意图 (skiving & burning cutter)

刮削滚光自动涨缩组合刀具适用于精冷拔管的精加工批量、生产和其它类型钢管粗加工后的量产, 直径余量 1mm 时, 进给速度每分钟可达 500mm ~ 1250mm, 圆度可达 0.01mm, 粗糙度不大于 Ra0.4um, 镗杆内部芯杆通过液压控制能够使刮削刀块和滚柱自动缩刀, 在保证深孔加工稳定性的同时, 大大提高了加工效率。

中型数控深孔钻镗床

Medium diameter BTA deep hole drilling machine



● 优势特点

TSK2116、TSK2120、TSK2136: 具有钻孔和镗孔功能, Has drilling and boring function.

TSK2216、TSK2220、TSK2236: 只有镗孔功能 Only has boring function.

本机床是专门加工圆柱型深孔工件的设备。选用不同的深孔刀具可到达不同的精度要求。

常规产品采用半自动控制, 也可以选配数控(在加工盲孔, 阶梯孔时, 建议选配数控控制系统)。客户可选配钻杆箱(能提高钻孔加工效率和加工精度)。订货时请说明。

我公司生产的深孔钻镗床, 采用优质铸铁 (HT300), 木型铸造工艺, 床体材质均匀, 外形美观, 刚性好, 精度保持性高。导轨面淬火精磨处理。

可根据客户要求定制各种变形产品

This machine is specially for the cylinder-shaped workpiece, choose different cutter can obtain different accuracy requirement.

Our normal machine is semi automatic control, you can choose CNC control also (when works on blind holes, CNC control is suggested).

Customer can choose drilling bar box (it can enhance efficient and accuracy), please indicate when place order.

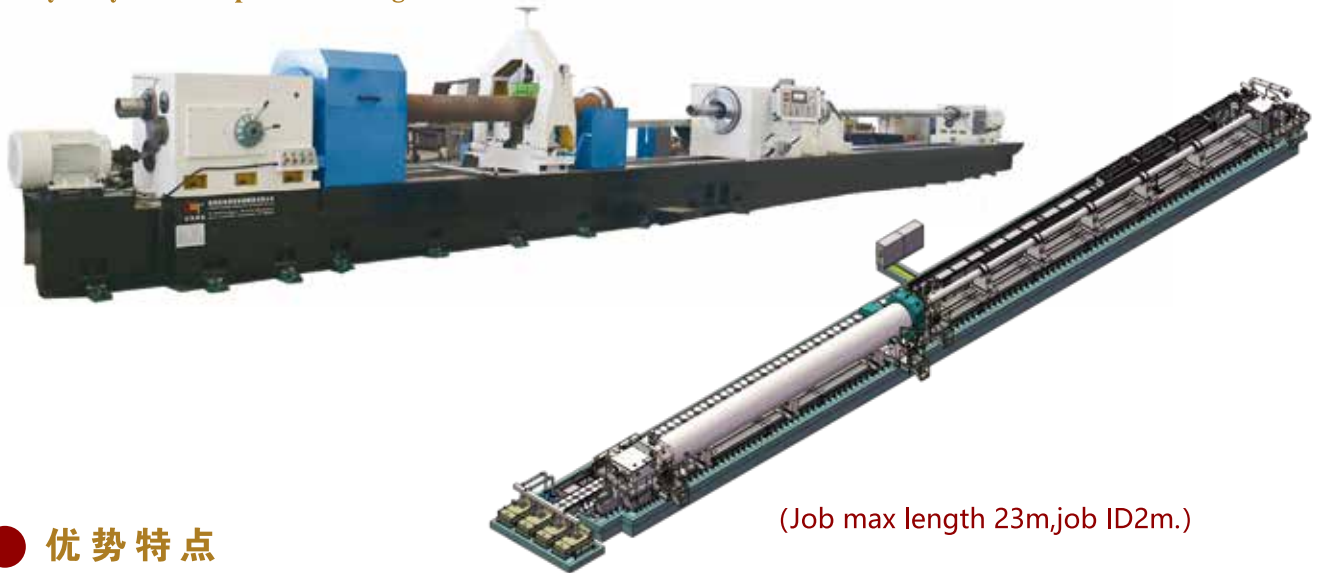
Our machine adopts super cast iron (HT300), wood type cast molds, machine bed material is uniform, good looking appearance, good rigidity, accuracy keeping is long span, railway surface is quenched and ground.

机床主要参数 Main parameters of machine tool

	参数 Parameters			
	TSK2116/ TSK2216	TSK2120/TSK2220	TSK2136/ TSK 2236	TSK2150/ TSK2250
钻孔直径范围 (mm) Drilling diameter range	φ30mm~φ80mm			φ40mm~φ120mm
镗孔直径范围 (mm> Boring diameter range		φ40mm~φ200mm	φ40mm~φ360mm	φ120mm~φ500mm
孔深(mm) Drilling/boring range	1000~6000mm	1000~12000mm		1000~15000mm
工件外径范围 (mm) Workpiece OD range	φ50~φ200mm	φ60~φ300mm	φ100~φ450 mm	φ300~φ650mm
中心高 (mm) Center height	400 mm	500mm	500mm	625mm
主轴孔径 (mm) Spindle bore hole	φ75mm			φ130mm
主轴前端锥孔 (mm) Spindle front taper hole	φ85 1:20			公制 140#
变速范围 (r/min) Speed range	61-1250	61-1000	40-500	3.15-315
速度范围 mm/min Speed range stepless	50-1000			5-500
快移速度 mm/min Rapid speed stepless	1500			1500
主电机功率 (KW) Main motor power	15	30	30	45
液压系统电机功率 (Kw) Hydraulic system motor power	1.5	1.5	1.5	15
授油器电机 (Kw) oil pressure motor	4.3	4.3	4.3	5.5
进给电机 (Kw) Infeed motor	4.3	4.3	4.3	5.5
冷却泵电机 (Kw) Coolant pump motor	5.5*3	5.5*4	5.5 *4	7.5*3
最大压力 (MPa) Max. pressure	2.5	2.5	2.5	2.5
最大流量 (L/min) Max.flow	300	400	600	900

大型数控深孔钻镗床

Heavy duty BTA deep hole drilling machine



(Job max length 23m, job ID2m.)

优势特点

本机床是专门加工圆柱型深孔工件的设备。选用不同的深孔刀具可达到不同的精度要求。

常规产品采用半自动控制，也可以选配数控（在加工盲孔，阶梯孔时，建议选配数控控制系统）。

本产品根据工件的长短，有两种加工工艺，短工件采用授油器授油并液压顶紧（同 T2120 系列），长工件采用镗杆尾部授油，四爪卡盘夹紧。授油器采用新型主轴式结构，承重能力有很大的提高，旋转精度提高，床身采用双矩形导轨，宽度 800mm. 承载能力大。

客户可选配钻杆箱（能提高钻孔加工效率和加工精度）。订货时请说明。

我公司生产的深孔钻镗床，采用优质铸铁（HT300），木型铸造工艺，床体材质均匀，外形美观，刚性好，精度保持性高。导轨面淬火精磨处理，耐磨性高。

可根据客户要求定制各种变形产品

This machine is specially for the cylinder-shaped workpiece, choose different cutter can obtain different accuracy requirement.

Our normal machine is semi automatic control. you can choose CNC control also (when works on blind holes, CNC control is suggested).

Customer can choose drilling bar box (it can enhance efficient and accuracy), please indicate when place order. This machine, according to the workpiece length, has two processing method, short workpiece adopts oil supply device and hydraulic clamping (same as T2120 series) long workpiece adopts boring bar tail to oil supply, four-craw chunk clamping. Oil supply adopts new type spindle structure, loading capacity is much more higher, rotary accuracy is higher also. The machine bed adopts double rectangle rail, width is 800mm, big loading capacity.

Our machine adopts super cast iron (HT300), wood type cast molds, machine bed material is uniform, good looking appearance, good rigidity, accuracy keeping is long span, railway surface is quenched and ground.

机床主要参数 Main parameters of machine tool

项目名称 Item name	参数 (Parameters)			
	TSK2180/TSK2280	TSK21100/ TSK22100	TSK21120/ TSK22120	TSK21200/ TSK22200
钻孔直径范围 Drilling diameter range	60mm-150mm	60mm-150mm	60mm-150mm	60mm-150mm
镗孔直径范围 Boring diameter range	150mm-800mm	150mm-1000mm	150mm-1200mm	150mm-2000mm
镗孔最大深度 Boring :Max. Depth	1000-15000mm	1000-1500mm	1000-25000mm	1000-25000mm
工件夹持直径范围 Workpiece clamping diameter range	320-1250mm	320-1500mm	320-1500mm	320-2500mm
主轴中心高 Spindle center height	900mm	1050mm	1250mm	1600mm
床头箱主轴孔径 Headstock spindle hole diameter	130mm	130mm	130mm	130mm
主轴前端锥孔 Spindle front taper hole	公制 140#	公制 140#	公制 140#	公制 140#
主轴变速范围 Spindle speed range	3-120r/min 手动 4 档; 无级	3-120r/min 手动 4 档; 无级	3-120r/min 手动 4 档; 无级	1-80r/min 手动 4 档; 无级
进给速度范围 (无级) Infeed speed range (stepless)	5-500mm/min	5-500mm/min	5-500mm/min	5-500mm/min
拖板快速移动速度 Carrier rapid move speed	1.5m/min	1.5m/min	1.5m/min	1.5m/min
主电机功率 Main motor power	55kw; 直流电机	55kw; 直流电机	75kw; 直流电机	118kw; 直流电机
液压泵电机功率 Hydraulic pump motor power	1.5Kw	1.5Kw	1.5Kw	1.5Kw
进给电机功率 infeed motor power	7.5Kw	11Kw	11Kw	11Kw
冷却泵电机功率 Coolant pump motor power	5.5KW 1 组 7.5KW 2 组	5.5KW 1 组 7.5KW 2 组	5.5KW 1 组 7.5KW 2 组	5.5KW 1 组 7.5KW 2 组
冷却系统额定压力 Coolant system rated pressure	2.5Mpa	2.5Mpa	2.5Mpa	2.5Mpa
冷却系统流量 coolant system flow	300 600 900L/min	300 600 900L/min	300 600 900L/min	300 600 900L/min
液压系统额定工作压力 Hydraulic system rated working pressure	6.3Mpa	6.3Mpa	6.3Mpa	6.3Mpa

枪钻系列

Gun drilling series

● 枪钻类主要产品

ZSK 三坐标深孔钻床系列

zSK 单坐标多主轴深孔钻床系列

我公司深孔枪钻，采用外排屑法（枪钻法）钻削，通过一次连续钻削即可达到一般需要钻，扩，铰工序才能保证的加工质量。

孔径精度为 IT7-IT11

表面粗糙度 Ra0.4-Ra6.3um(depends on materials)

孔中心直线度 $\leq 0.5-1/1000\text{mm}$ (加工孔深)

钻孔直径范围为 3mm-40mm

枪钻主轴数量最多可达 6 轴，钻孔深度最深可达 4000mm

工作台最大承重可达 40 吨

我公司研发出的复合钻机床，运用外排屑和 BTA 两种加工方式，加工直径范围 5mm-100mm, 为有此要求的企业（如深孔加工企业，水泥机械，矿山机械等）节约成本，节省空间，实现一机多用。

我公司可以根据客户不同的行业特点，量身订做性能最优，性价比最高的深孔机床，同时也可根据客户的投资预算，设计不同的机床方案。无论您是大型集团公司，还是小型个体加工厂，我们都有一款合适的机床适合您。

应用行业

模具行业：模具的水道孔、顶针孔、流道孔、导柱孔等

液压行业：油缸、活塞杆、缸壁等上面的油路孔

汽车行业：气缸体（内燃机）、曲轴、转向器齿条、齿轮轴、阀芯等的深孔加工

纺织机械行业：各种锭子中心孔加工

医疗器械行业：钛合金、不锈钢等轴类件深孔加工

电力、汽轮机行业中的转子、芯轴、阀杆、机组外缸、冷凝器管板的深孔加工

油泵油嘴行业：喷油气嘴、针阀体、柱塞套等零件的深孔加工

Main machines of Gun drilling series:

ZSK Three-dimensional deep hole drilling machines

zSK Single-dimensional multi-spindle deep hole drilling machines

Our gun drilling machines,adopts gun drill chips remove methods,though one time continuedrilling,can get the processing quality of drilling.expanding and reaming.

Diameter accuracyIT7-IT1i

Surface roughness: Ra0.4-Ra6.3

Diameter central linear less than 0.5-1/1000mmDrilling diameter range:3mm -40mm

Gun drilling spindile quantity maximum 6 spindiles.Deep hole maximum depth 4000mm

working table maximum loading limit 40tons

our company has designed the combination deep hole drilling machines,adopts both gun drilling andBTA processing method,deep hole range from 5mm to 100mm.,providing the most useful equipments forsome factories.

We also can design different solutions according to customers budget,whatever you are group companyor small factory,there must be a right model for you.

Application fields:

Moulds: water holes,centre hole,sprue hole,guide pillar hole and so on.Hydraulic fields: cylinder,piston rod ,the oil hole on the cylinder wall.

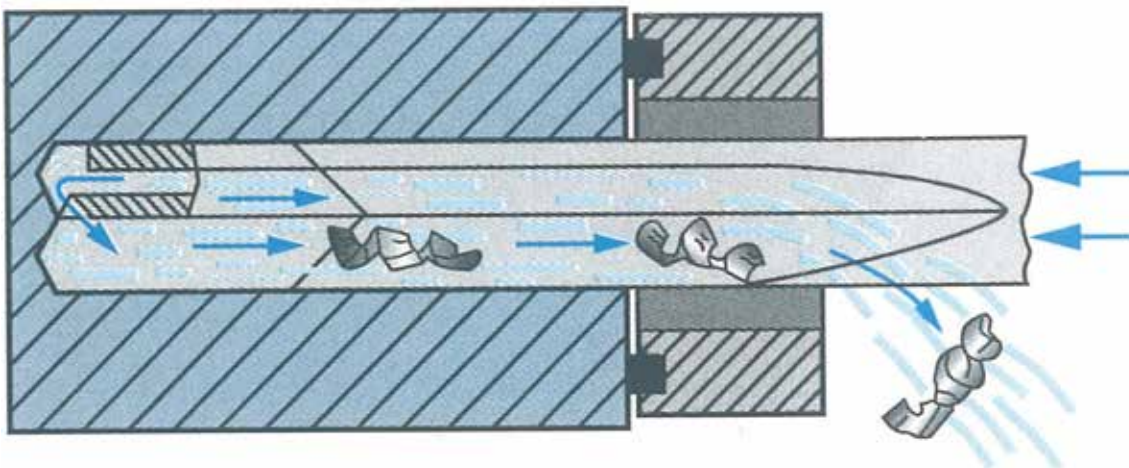
Automobile fields: cylinder block(internal-combustion engine).crank axle,steering rack.gear shaftvalvecore.

Textile field: all kinds of spindles center holes.

Medical apparatus and instruments: titanium alloy,stainless steel and other shaft parts deep hole processing.

Electric and turbine fields: rotors,dabber,valve bar,The outer cylinder unit.Condenser tube plateFuel injection equipment, fuel injection nozzle,needle valve,plunger bushing.

枪钻系列 Gun drill series



单轴数控深孔钻床

Single coordinate CNC Gundrilling machine



优势特点

机床主要特点：

- 箱体、床体、进给滑台等基础件采用优质铸铁铸造；
- 刀具进给导轨采用滚动直线导轨；
- 钻杆箱主轴驱动前置，利于保护主电机、方便换刀；
- 床头箱主轴驱动前置，方便装卸工件、利于保护主电机；
- 床体回油槽倾斜设计，不会存油；
- 钻杆支架和钻杆箱之间可以联动，在任意位置钻杆支架之间的间距相等；
- 伺服主轴电机驱动刀具旋转，刀具转速可以实现无级调速；
- 刀具进给采用伺服电机驱动滚珠丝杠来实现，刀具进给量可以实现无级调速；
- 在数控系统操作站上，装配冷却系统压力调整旋钮和流量调整面板；

Machine mainly parameters:

- The chamber box, machine bed, infeeding slide table and other basic parts casted by super iron;
- The cutter tool infeeding guide rail adopts roller guide linear rail ;
- The drill box spindle front drive, which could protect the main motor and conveniently to change tool;
- Headstock spindle front drive, conveniently to load and unload the workpieces, could protect the main motor;
- The machine bed oil returning chute is designed slantly, which will not store oil;
- The drill bar support rest and drill bar box is linked, in any position, the space in between the two drill bar supportrest is same distance;
- The servo spindle motor drive the tool rotate, the tool rotating speed is stepless;
- The tool infeed adopts servo motor to drive ball screw, so the tool infeeding volume can be stepless controlled;

机床主要参数 Main parameters of machine tool

型号 Models		ZSK2102 系列 zSK2102 Series			ZSK2103 系列 ZSK2103 Series		ZSK2104 系列 ZSK2104 Series	
		自主轴 Single Spindle	双主轴 Double spindle	四主轴 Four spindle	自主轴 Single Spindle	双主轴 Double spindle	自主轴 Single Spindle	双主轴 Double spindle
主参数 Main Parameters	钻孔直径范围 Drill hole Diameter	φ4mm~φ20mm			φ4mm~φ30mm		φ6mm~φ40mm	
	最大钻孔深度 Max.drill depth	500/1000/1500/2000/2500mm/4000mm						
	主轴数量 Main Spindle quantity	1	2	4	1	2	1	2
	主轴间距 Main Spindle space	140mm						
钻杆箱 Drill box	主电机功率 Main motor power	3.7kw	7.5kw	7.5kw×2	5.5kw	11kw	7.5kw	7.5kw×2
	最高转速 Max.speed	5000r/min					3500r/min	
床头箱 Headstock	功率 power	1.5kw	1.5kw×2	1.5kw	1.5kw	1.5kw	1.5kw	1.5kw×2
	转速 speed	120r/min						
刀具进给 Cutter tool infeeding	进给速度范围 Infeed speed range	5~500mm/min						
	快移速度 Rapid speed	4m/min						
	进给电机扭矩 Infeeding motor torque	7.5Nm		10Nm	7.5Nm	10Nm	10Nm	
冷却系统 Coolant system	最大流量 Max.flow	100L/min	100L/min	200L/min	100L/min	150L/min	100L/min	200L/min
	最大压力 Max pressure	10Mpa					8Mpa	
	过滤精度 Filtering accuracy	20 um						
加工精度 Processing accuracy	孔径精度 Hole size accuracy	1T7~1T10						
	粗糙度 Roughness	Ra1.6um~3.2um						
	孔中心偏差 Hole deviation tolerance	工件不转, 工件转 0.5mm/1000mm, 最大长径比≤ 100:1 Workpiece fixed 1mm/1000mm, Max L-D ratio is less than 100:1						
其他 others	机床总功率 (约) Machien general power	20.5kw	25kw	42kw	22kw	33kw	25kw	42kw
	占地面积 Floor space	0.5m 机床 :4.2m×3.1m; 1m 机床 :4.8m×3.1m 1.5m 机床 :5.8m×3.1m; 2m 机床 :7m×3.1m 2.5m 机床 :8.5m× 3.1m						
	机床重量 (约) Machine weight	0.5m 机床 :5 吨; 1m 机床 :6 吨 1.5m 机床 :7 吨; 2m 机床 :8.2 吨 2.5m 机床 :9.5 吨						

三轴数控深孔钻床

Three coordinate CNC Gundrilling machine



● 优势特点

箱体、床体、进给滑台、立柱、工作台等基础件采用优质铸铁铸造；

- 刀具进给导轨采用滚动直线导轨，其他伺服轴采用滑动导轨或者直线导轨；
- 伺服主轴电机驱动刀具旋转，刀具转速可以实现无级调速；
- 刀具进给采用伺服电机驱动滚珠丝杠来实现，刀具进给量可以实现无级调速；
- 在数控系统操作站上，装配冷却系统压力调整旋钮和流量调整面板；
- 排屑机前置，方便观察排屑情况。

Machine mainly parameters:

- The chamber box,machine bed,infedding slide table,upright column,working table and other basicparts casted by super iron;
- The tool cutter infedding guide rail adopts roller guide linear rail, others servoaxis adopts slide guiderail or linear guide rail;
- The servo spindle motor drive the tool rotate,the tool rotating speed is stepless;
- The cutter tool infeed adopts servo motor to drive ball screw,so the cutter tool infedding volume can bestepless controlled;
- Fit the coolant system pressure adjusting knob and flow adjusting panel on the CNC system operation panel;The chips conveyor is in front,convinently to check the chips condition.

机床主要参数 Main parameters of machine tool

技术规格 Technical specification		参数 Parameters				
工作范围 working capacity	钻孔直径范围 (mm) Drilling range	φ3~φ35				
	钻孔最大深度 (mm) Max.Drilling length	1000	1500	2000	2500	
机床性能 Machine character	Z 轴	进给速度范围 (mm/min) Infeeding speed range	5~500			
		快速移动速度 (m/min) Rapid movement speed	5			
		进给电机扭矩 (Nm) Infeed motor torque	7.5	10		
	X 轴	快速移动速度 (m/min) Rapid movement speed	3			
		行程 (mm) Travel stroke	1000	1500	2000	2500
		电机扭矩 (Nm) Motor torque	15	18	22	30
	Y 轴	快速移动速度 (m/min) Rapid movement speed	3			
		行程 (mm) Travel stroke	1000			
		电机扭矩 (Nm) Motor torque	15	22		
	钻杆箱 Drill bar box	最高转速 (r/min) Max.speed	5000			
		电机功率 (KW) Motor power	7.5			
	工作台 Working table	尺寸 (X向×Z向, m) Dimension(XxZ)	1.5×1	1.8×1.2	2.2×1.5	3×2
		工作台承重 (吨) Working table loading capacity	6	8	10	
	冷却系统 Coolant system	最大压力 (MPa) Max.pressure	10			
最大流量 (L/min) Max.flow		100				
过滤精度 (um) Filtering accuracy		20				
其它 others	最大钻孔长径比 Max.D-L ratio					
	机床总功率 (约, KW) Machine general power	26	27	29		
	占地面积 (长×宽, m) Machine floor space	6.3×4.5	7.4×5.8	8.9×7.5		
	机床总重量 (约, 吨) Machine general weight	14	19	25		

复合型数控深孔机床

BTA and gundrilling combined machine



● 优势特点

机床主要特点：

- 同时具备枪钻和 BTA 两种深孔加工方式，加工孔径直径范围 :4mm ~ 80mm，最大孔深 3000mm;
- 该系列机床具有单主轴和双主轴两种结构。
- 复合型深孔钻床有利于减少了零件加工所需的设备台数和生产厂房的占地面积，从而也减少企业相关的人、财、物的投入，降低生产成本，提高企业的经济效益。

Machine mainly parameters:

- This machine both have gundrilling and BTA drilling method,hole diameter range 4mm to80mm,Max.drilling 3000mm.
- This series machine has single spindle and double spindle two structures.
- This combined machine reduce the end users cost and floor space.

机床主要参数 Main parameters of machine tool

技术规格 Technical specification			参数 Parameters		
			单主轴结构 Single spindle structure	双主轴结构 Double spindle structure	
工作范围 Working capacity	钻孔直径范围 (mm) Drill hole diameter	枪钻 Gundrilling	φ8~φ30	φ4~φ30	
		BTA	φ25~φ60	φ25~φ80	
	加工深度 (mm) Working depth		1000 ~ 3000, 每隔 500mm 一个规格		
	工件长度 (mm) workpiece length		1000 ~ 3000, 每隔 500mm 一个规格		
	最大工件外径 (mm) Max workpiece OD		φ250		
最大工件重量 (kg) Max. workpiece weight		2000			
机床性能 Machine Character	钻杆箱 Drill bar box	转速范围 (r/min) Rotating speed	200~2000	枪钻: 200 ~ 5000 BTA: 200 ~ 1000	
		主电机功率 (KW) Main motor power	18.5	枪钻: 7.5 BTA: 22	
	z 轴 Zaxis	进给速度范围 (mm/min) Infeed speed range		5~500	
		快速移动速度 (mm/min) Rapid movement speed		2000	
		电机扭矩 (Nm) Motor torque		15	
	其它 Others	钻孔最大长径比 Hole Max. L-D ratio		100:1	
机床总功率 (约, kW) Machine general power		45	55		
冷却系统 Coolant system	最大压力 (MPa) Max. pressure		10	10	
	最大流量 (L/min) Max. flow		200	300	
	过滤精度 (um) Filtering accuracy		20	40	

深孔珩磨机床

Deep hole honing machine



Hole size consistency detection system, partial position auto honing function is optional

● 优势特点

本机床是专门用于精加工各种液压油缸、汽缸等圆柱形深孔零件的设备。经本机床加工零件孔径精度达1T7级以上，表面粗糙度达 Ra0.2-0.4um。该机床还可以进行局部珩磨，以便修正零件的维度和椭圆。

该机床配备触摸屏和 PLC，交流伺服电机，磨杆箱采用无级调速，换回平稳，调速力便，谷勿休证扎径尺寸精度和减轻劳动强度。

本机床在珩磨过程中，砂条和工件始终保持恒压，使砂条进行强力磨削，保证了深孔加工的高效率，对一般圆柱形深孔零件，粗镗后进行粗精珩磨，若使用冷拔钢管，可直接进行强力珩磨，改变了深孔加工多工序的传统工艺方法，有效地提高了生产率。被珩磨零件材质为铸铁和各类钢材，合格淬硬后的工件。本机床的冷却系统，采用三级过滤，充分保证了冷却液的清洁度。本机床的控制集中于电气操纵中心进行，操作方便，安全可靠。

本机床既能承担大批量生产，又能满足单件小批量工件加工的需要，是深孔工件精加工的理想设备。可根据客户要求定制各种变形产品

This machine is specially for all kinds of cylinder shaped workpiece, after worked by this machine, the accuracy up to 1T7, surface roughness up to Ra0.2-Ra0.4um. This machine can be part honing also, so as to repair the parts.

This machine equips touching screen and PLC, AC servo motors, honing box stepless speed, steady and easy to operate.

主要技术规格及性能 Main technical specifications and performance

技术规格 Technical specification	参数(Parameters)			
	2M2125	2M2135	2M2150	2M21120
珩孔直径范围 honing diameter range	φ40-φ250	φ40-φ350	φ80-φ500	φ450-φ1200
珩孔最大深度 Honing Max.depth	12000	12000	12000	23000
中心高度 center height	320	400	460	1300
夹持工件直径范围 clamping workpiece diameter range	φ60-φ350	φ60-φ420	φ80-φ650	φ80-φ650
磨杆箱主轴转速范围 honing box spindle speed range	10-260r/min2 档无极	10-260r/min2 档无极	5-130r/min2 档无极	10-130r/min2 档无极
磨杆箱往复速度范围 honing box move back and forth speed range	1-18m/min	1-18m/min	1-18m/min	1-18m/min
磨杆箱电机功率 honing box motor power	7.5kW(变频电机)	7.5kW(变频电机)	7.5kW(变频电机)	37kW(变频电机)
外进油 / 内进油 External oil furnish/Inner oil furnish	40L/min	40L/min	40L/min	110L/min
冷却箱容积 coolant pump volume	600L	600L	950L	1200L
电机功率 Motor power	0.75kw	0.75kw	0.75kw	1.1kw
外进油 / 内进油 External oil furnish/Inner oil furnish	0.25/0.55kw	0.25/0.55kw	0.25/0.55kw	0.55/1.1kw
往复电机功率 back and forth motor power	4.3kw	4.3kw	4.3kw	4.3kw

石英玻璃钻孔机床

Quartz glass drilling machine



注：具体机床参数根据孔的直径来定

Parameters are decided by exactly hole diameters

枪钻、BTA 深孔、珩磨加工业务

Job work



机夹可转位 BTA 深孔钻头 / BTA drilling head

该钻头属于内排屑钻头，由刀体，导向键，刀片和螺钉组成（65mm 以上还有支撑胶木），刀体材料为优质钢材，经过精密热处理制成，刀片和导向键为进口产品（导向键 65mm 以上为自制）。该产品具有加工效率高，更换刀片方便（不需焊接，只需用螺钉将刀片固定在刀体上），刀具消耗费用低（刀体可长期使用）等优点，可以加工碳钢，高强度合金钢，不锈钢等多种材料，是传统焊接式钻头的替代产品。

钻头规格 (mm)	配用刀杆 (mm)	钻头规格 (mm)	配用刀杆 (mm)
φ27-φ29.9	φ25	φ30-φ34.9	φ27
φ35-φ38.9	φ30	φ39-φ43.9	φ35
φ44-φ48.9	φ40	φ49-φ53.9	φ43
φ54-φ56.9	φ48	φ57-φ60.9	φ52
φ61-φ67.9	φ56	φ68-φ72.9	φ61
φ73-φ79.9	φ65	φ80-φ87.9	φ70
φ88-φ107.9	φ80	φ108-φ150	φ100



深孔镗头 / Boring head

该深孔刀具可实现深孔的粗，半粗和精镗削加工。粗镗头和半精镗头能校正已有孔上的缺陷，如直线度误差，圆度误差等，从而是工件获得良好的几何精度和表面粗糙度，可以加工高强度合金钢，不锈钢等材料。精镗头采用浮动镗刀刀块结构。能加工 38mm 以上的孔。

镗头规格 (mm)	配用刀杆 (mm)	镗头规格 (mm)	配用刀杆 (mm)
φ38-φ43	φ35	φ44-φ48	φ40
φ49-φ60	φ43	φ61-φ72	φ56
φ73-φ77	φ65	φ78-φ87	φ70
φ88-φ107	φ80	φ108-φ137	φ100
φ138-φ177	φ130	φ178-φ250	φ160
φ251-φ500	φ220	φ501-φ800	φ350



深孔拉镗头 / Pull Boring head

镗头规格 (mm)	配用刀杆 (mm)	镗头规格 (mm)	配用刀杆 (mm)
φ38-φ43	φ35	φ44-φ48	φ40
φ49-φ60	φ43	φ61-φ72	φ56
φ73-φ77	φ65	φ78-φ87	φ70
φ88-φ107	φ80	φ108-φ137	φ100
φ138-φ177	φ130	φ178-φ250	φ160
φ251-φ500	φ220	φ501-φ800	φ350



刮滚刀具 / Skiving & Burning head

YGT 刮滚滚光机刀具应用

1. 组合式刮削滚光刀具 YGT 可以在短时间内加工圆柱管及其他工件，一道工序即可完成加工。

2. 由于刮削和滚光只能向一个方向工作，所以会一次性完成切削滚光工序。

3. 使用机床决定的转换系统，刀具可以在不损害已完成刮削表面的情形下快速回滚。

4. 使用精密可循环直径可调装置可以调节刀具。

工作参数

1、加工材质：热轧管或者冷轧管；用于液压缸内孔加工 2、加工直径：60-440mm；

3、刮削速度：2-3 米 / 分钟；4、最大加工余量：1mm；5、进给量：3-6mm/ 转。

特点及优点： 1) 表面质量达到 $Rz < 1\mu m$ ； 2) 极高的尺寸稳定性，公差等级为 IT8； 3) 装配面加工安全快速且成本低廉； 4) 仅使用一道工序； 5) 滚光后表面更坚硬更耐磨； 6) 非切削加工，噪音低



ZT 机夹式深孔套料钻 / ZT Trepaning head

本刀具又称环形钻，它是在固体材料上进行钻削，他不是将切削下来的所有工件材料作为钻屑，而是在孔中央留下一个固体的“核”，所以它可以降低在产品生产中的费用，可以在需要加工的工件中成功套出一根可以再利用的棒料，使原来用钻头加工时的铁屑变成现在可以再利用的成品。如果所钻屑的工件材料昂贵，可以用这种钻头，如果用作要对芯料进行测试和化学分析，也可以用这种钻头。如果使用的机床功率不足，而需钻直径较大的孔时，也可以用这种钻头，主要规格为 50mm-600mm，每种规格需要配备专用刀杆，订货时需特别说明。



深孔镗滚头 / Boring & rolling head

该组合头为一镗，两次滚压，也可以为两镗，一次滚压，既保证了加工质量，又大大提高了工作效率。

镗滚头规格 (mm)	配用刀杆 (mm)	镗滚头规格 (mm)	配用刀杆 (mm)
φ38-φ43	φ35	φ44-φ48	φ40
φ49-φ60	φ43	φ61-φ72	φ56
φ73-φ77	φ65	φ78-φ87	φ70
φ88-φ107	φ80	φ108-φ137	φ100
φ138-φ177	φ130	φ178-φ250	φ160
φ251-φ500	φ220	φ501-φ800	φ350



JT 型深孔精镗头 / Precision boring head

该刀块采用硬质合金焊接结构或可转位机夹刀片式结构，长度方向可微量调整，刀块与精镗头体之间采用浮动联接，适用于深孔的精加工。硬质合金焊接式结构精刀比较适合硬度不高的普通碳钢材料，以及韧性高硬度不高的合金材料。如：钛合金、45 钢、27SiMn 等材料。可转位刀片式结构在解决大部分普通材料加工方面比硬质合金式结构有较大的进步，它刀片可转位利用、并不需要人工刃磨、在刀具更换保养上简单易行，而且更适应像加工不锈钢之类的高硬度材料。



深孔滚压头 / Pressing & rolling head

该滚压头的作用是使金属表面产生塑性变形，从而能修正工件的表面微观不平度，从而提高工件表面粗糙度数值，从而代替工件的表面热处理及精加工工序。

镗头规格 (mm)	配用刀杆 (mm)	镗头规格 (mm)	配用刀杆 (mm)
φ38-φ43	φ35	φ44-φ48	φ40
φ49-φ60	φ43	φ61-φ72	φ56
φ73-φ77	φ65	φ78-φ87	φ70
φ88-φ107	φ80	φ108-φ137	φ100
φ138-φ177	φ130	φ178-φ250	φ160
φ251-φ500	φ220	φ501-φ800	φ350



深孔珩磨头 / Honing head

该珩磨头用于深孔的光整加工，提高工件的表面光洁度。

珩磨头规格 (mm)	配用刀杆 (mm)	珩磨头规格 (mm)	配用刀杆 (mm)
φ40-φ50	φ35	φ51-φ80	φ40
φ81-φ120	φ70	φ121-φ200	φ80
φ201-φ350	φ100		



高速镗头 / High speed boring head

该刀具专门为切削量大，需要快速进给的工件设计而成，适用于油缸加工行业。



深孔钻镗杆 / Boring & Drilling bar

该钻镗杆可与相应的镗头、滚压头、以及机夹钻头等刀具使用。单节杆长有0.5米、1.2米、1.5米、2米以适应不同的机床、不同的加工深度的需要，可根据用户需要定制长度。使用机械性能较好的材料，来保证钻杆的耐用程度。



深孔外排屑枪钻钻头 / Gun drill bits

枪钻可以钻削铸铁、碳钢、铜、铝合金、合金钢等，他将钻孔、镗孔、较孔一次完成，一次走刀便可加工出高精度 (IT8-11 级)、高直线度 (0.16-0.5mm/1000mm)、低粗糙度 (Ra6.3-Ra0.8) 的深孔。其钻削线速度达到 30-100 米 / 分以上。

枪钻主要用来钻削小直径的深孔，范围大约在 1.5mm-38mm，钻孔的长径比是指：钻头直径 X150 倍。（也就是最大钻深），高压冷却液通过主轴和钻头中心到达切削部位。铁屑通过钻头上的 V 型槽排出。

可根据客户要求定制各种变形产品





冠鲁精机

联系我们

厂址：山东省德州市陵城区边临镇天衢东路东首北侧1688号

手机：+8615166987816(国内业务) +8615165964868(Mobile/whatsapp/Wechat)

网址：www.dzguanlu.com www.dzgljc.com

邮箱：dzguanlu@dzguanlu.com

